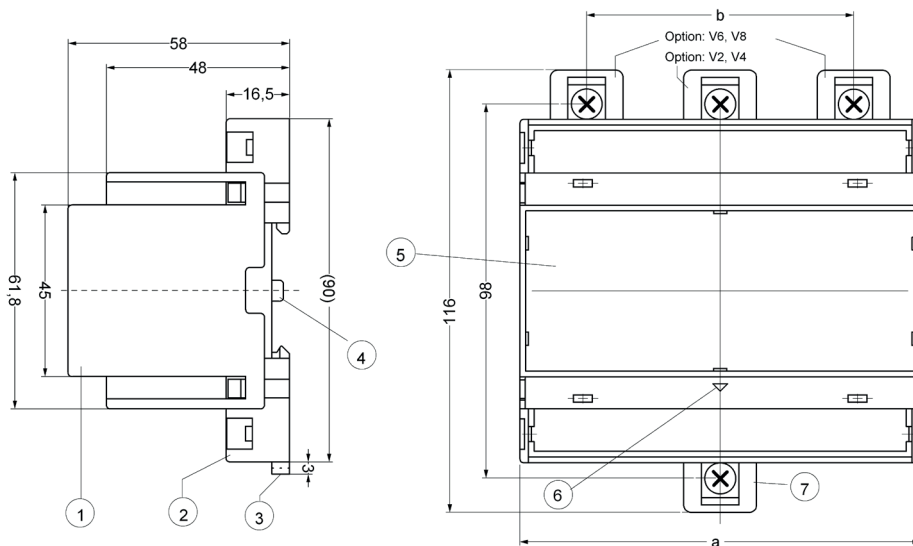


Housing Design V

Material:
Polyamid PA 66
Front plate Polycarbonat

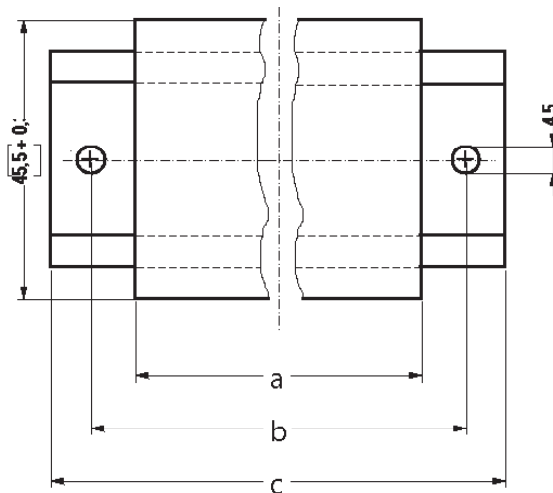
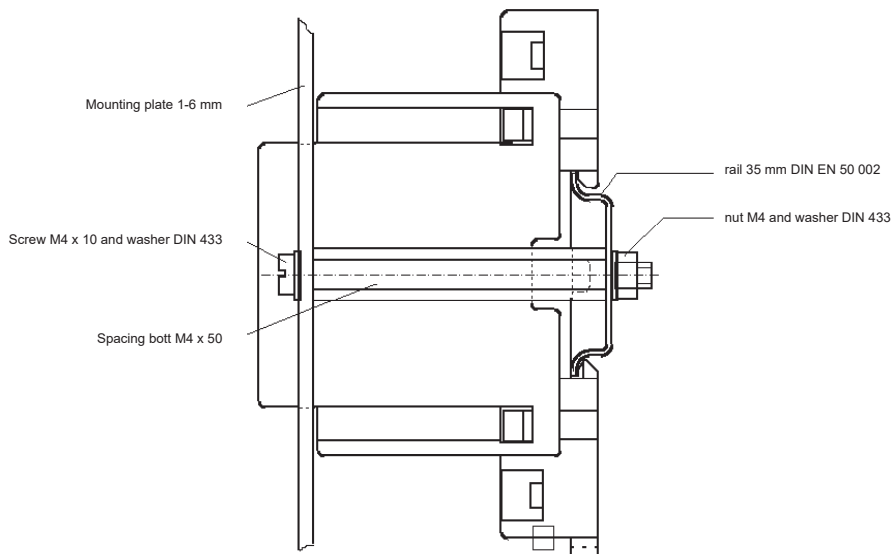
Switchboard mount
V2, V4, V6, V8:
Mounting height 55 mm



Maß a:
V2: 35 mm = 2 TE
V4: 70 mm = 4 TE
V6: 105 mm = 6 TE
V8: 140 mm = 8 TE

Maß b:
V6: 70 mm
V8: 105 mm

Panel mount V2, V4, V6, V8:



mm	a	b	c
V2	35	50	65
V4	70	85	100
V6	105,5	120	135
V8	140,5	155	170
Tol.	+ 0,3	± 0,3	± 2