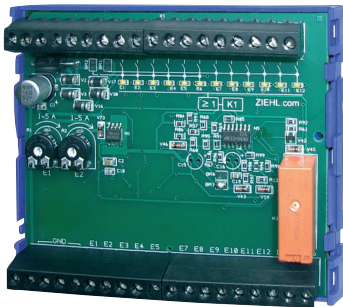


Current-Relay STW12

AC-Detection, 12-channel, Single evaluation, OR-Circuit

STW12



Part number:
S225127 DC 20-30 V

The current relay STW12 monitors the current flow yes/no of up to 12 alternating-current circuits. If there is an AC-current of ≥ 1 A through a connected transformer STWA 1, the according output transistor switches and the yellow LED lights up.

All the OR inputs are linked at the same time. If a current is identified in at least one of the monitored current circuits, a relay (1 change-over contact) picks up.

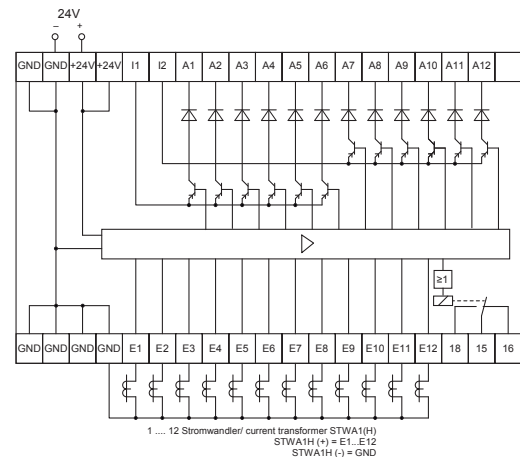
The STW12 is installed at an open printed circuit board. The lower part can be used for snap-fastening on a 35 mm DIN-rail or for screw fastening (option). The supply voltage is DC 24.

This voltage can be used at the same time for inquiry of the output transistors. When requesting the outputs in 2 groups in multiplex operation, only 8 I/Os of the PLC are needed.

- 12 inputs (for transformer STWA1)
- 2 of these inputs with adjustable switching threshold AC 0,5...5 AA
- 12 outputs (Open Collector) max. DC 40 V/40 mA
- relay OR-linked (of all 12 inputs)
- LED displays (1/channel)
- Multiplex operation possible

Applications:

The current relay STW12 is used where AC-current yes/no has to be evaluated, however, the exact value of the current is not relevant. Examples are the control of machines in suction plants or monitoring of the mode of operation of loads (on, off or damaged). The STW12 is suitable in particular for being used in connection with a PLC.



Technical Data

Power supply U_s

DC 20 - 30 V, < 2 VA

Function

Transformer input
Overload cap.continuous/max 10s
Switching points E1, E2
Tolerance
Switching points E3...E12

12-channel single/OR
1...12, type STWA 1
100 A / 300 A
adjustable, AC 0,5...5 A
 $\pm 20\%$
on \leq AC 1 A
off \geq AC 0,3 A
10 s.
approx. 0,5 s.

Switch-off delay
Switch-on delay

Output relay
Type of contact
Open Collector
Testing conditions
rated ambient temperature range

1 CO, 12 x Open-Collector
type 2 see "general technical informations"
max. DC 40 V/40 mA
see "general technical informations"
-20°C...+55°C

Dimensions H x B x T
Attachment

design V 6: 90 x 105 x 32 [mm], 37-pole
on 35 mm DIN rail according to DIN EN 50 022 or with screws M4 (option)

Protection housing / terminals
Weight

IP 30 / IP 20
approx. 135 g