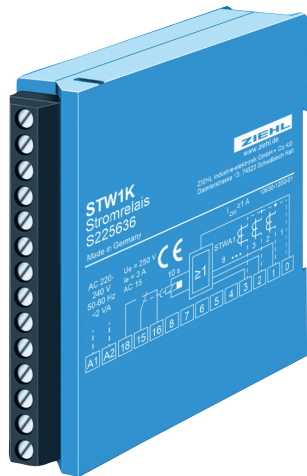


# Current-Relay STW1K

## AC-Detection, OR-Evaluation of 1-8 Transformers

### STW1K



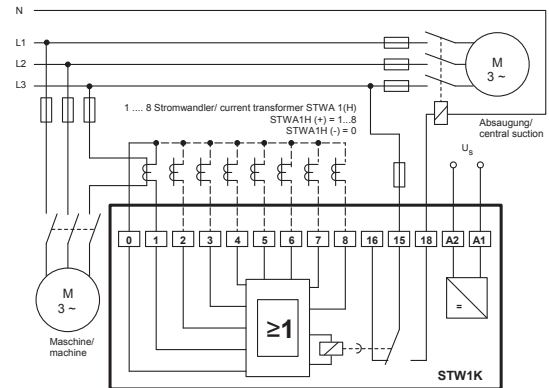
#### Part numbers:

<b>S225636</b>	AC 220-240 V
<b>S225658</b>	AC/DC 24 V

Current relay in OR evaluation with 8 inputs, designed e.g. for controlling of suction plants in the timber and plastics processing industry.

When there is an AC-current  $> 1$  A through one of up to 8 connected transformers STWA 1, the integrated relay (1co) picks up. When all currents are 0, the relay releases with a delay of approx. 10s. This enables a run-after of the central suction.

- 8 inputs
- OR-evaluation
- relay picks up if at least 1 input is activated
- Connection of current transformers STWA1 or STWA1H
- operating value approx. 1 A
- turn-off delay approx. 10 s
- not necessary inputs remain open
- options:
  - switch-on delay 3 s
  - without switch-off delay



### Technical Data

Rated supply voltage $U_s$	AC 220 - 240 V $+10-15\%$ , $< 3$ VA, 50/ 60 Hz AC/DC 24 V, DC 21 - 30 V, AC 20,4 - 26,4 V
Transformer input	1...8, type STWA1 or STWA1H
Overload cap.continuous/max 10s	100 A / 300 A
Function	OR-evaluation
Switching point on	$\leq$ AC 1 A
Switching point off	$>$ AC 0,3 A
Switch-off delay	approx. 10 sec.
Switch-on delay	approx. 0,5 sec.
Output relay	1 change-over contact (co)
Type of contact	<b>type 2</b> , see "general technical informations"
Test conditions	see "general technical informations"
Rated ambient temperature range	$-20^\circ\text{C} \dots +55^\circ\text{C}$
Dimensions (h x w x d)	Design K: 75 x 22.5 x 115 [ mm ]
Attachment	on 35 mm DIN rail according to DIN EN 60715 or with screws M4 (option)
Protection housing / terminals	IP 40 / IP 20
Weight	approx. 140 g