

# Universal-Measuring-Transducer MU1001K

## DC voltage and DC current, Isolating Amplifier, scaleable

### MU1001K



Part number: **T236006**

Universal Measuring-Transducers MU1001K can measure DC-signals up to 300 V. Inputs 60/150/300 mV measure direct current.

Pre-set measuring-ranges can be selected by the user. More measuring-ranges (zero and full scale) can be easily scaled.

The output-signals DC 0/2-10 V and 0/4-20 mA are insulated from measuring-input and supply-voltage.

### Technical Data

With its universal power-supply AC/DC 24-240 V the measuring-transducer can be connected to all common supply-voltages.

#### Inputs:

- $\pm$  DC 0 - 300 mV (pre-set: 60/150/300 mV,  $\pm$  60/150/300 mV)
- DC 0 - 10 V,  $\pm$  10 V
- DC 0 - 300 V (pre-set: 20/50/100/200/300 V)

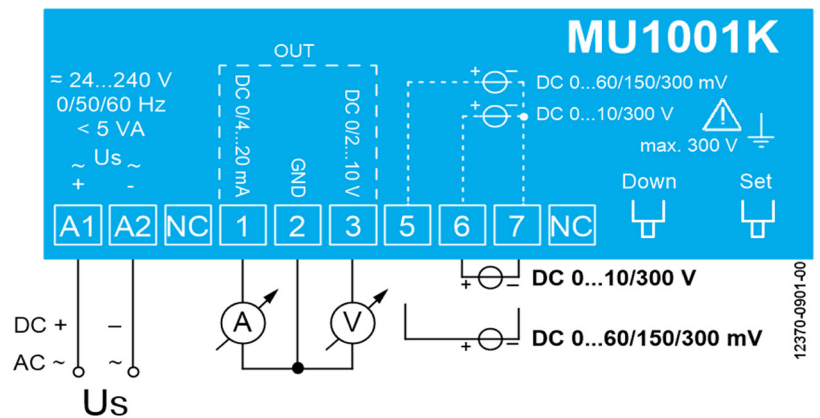
Zeros and Full Scales for more measuring-ranges can be freely selected by the user.

#### Outputs:

- DC 0/4-20 mA
- DC 0/2-10 V
- Insulation between inputs, outputs and supply-voltage

#### Displays and control elements:

- 2 buttons for scaling
- 4 LEDs for display of state and scaling
- Universal supply-voltage AC/DC 24-240 V
- Housing type K, 22,5 mm wide



Rated Supply Voltage  $U_s$

AC/DC 24V-240 V, 0/50/60 Hz < 3 W < 5 VA  
DC: 20,4 - 297 V, AC: 20 - 264 V

Measuring Input

$\pm$  DC 10 V/DC 300 V, max. 300 V, 500 k $\Omega$   
 $\pm$  DC 300 mV, max. 2 V, 10 M $\Omega$   
 $\leq$  0,1% from full scale  
14 Bit

Accuracy  
Resolution

Output Voltage

DC 0/2-10 V, load min. 1 k $\Omega$   
0,3 % from Fullscale, Drift <0,01 %/K  
11.6 Bit, <3,1 mV

Accuracy  
Resolution

Output Current

DC 0/4-20 mA, load max. 500  $\Omega$   
0,3 % from Fullscale, Drift <0,015 %/K  
11,6 Bit, <6,1  $\mu$ A  
0,3 % of current x (250 $\Omega$  - load) / 250 $\Omega$

Accuracy  
Resolution  
Error load

Galvanic Insulation

Supply voltage - Input - Output

Measuring Time  
Reaction Time

< 20 ms  
< 40 ms

Test conditions

see "general technical information"

rated ambient temperature-range

-20  $^{\circ}$ C ... +65  $^{\circ}$ C, EN 60068-2-2 dry heat

Housing dimensions (h x w x d)

type K, 75 x 22,5 x 115 mm

Protection housing/terminals

IP 40 / IP 20

Attachment

35 mm standard-rail or screws M4

Weight

app. 100 g