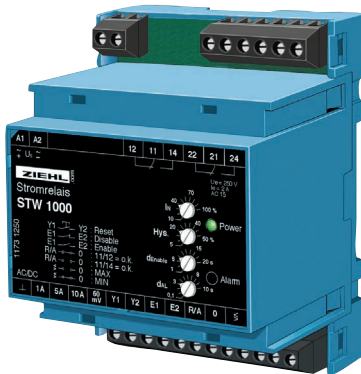


Current Relay for DC- and AC-currents

AC/DC 0,1 - 10 A, 60 mV with external shunt

STW1000



Part number:
S225684 AC/DC 24-240 V

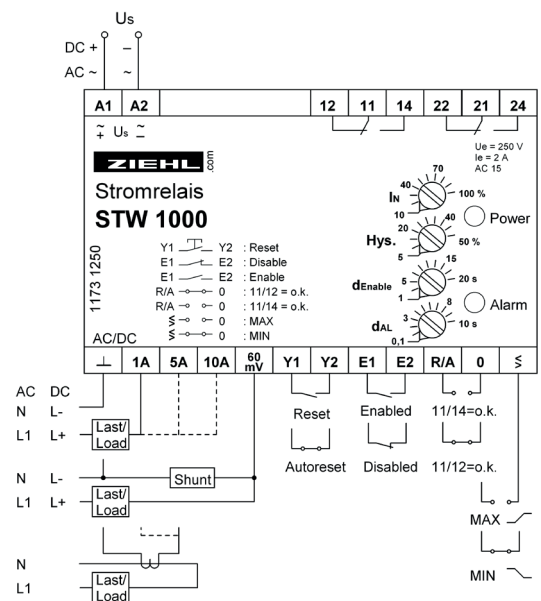
ZIEHL current-relays STW1000 have 4 measuring-ranges. They monitor most of the common AC- and DC-currents for over- or undercurrent.

Currents up to 10 A can be connected directly to the STW. For higher currents external transformers (to inputs 1/5 A) or Shunts (input 60 mV) can be connected.

- Measuring inputs 1 A, 5 A, 10 A, direct or via transformer
- Measuring input 60 mV for ext. Shunt
- Automatic detection of AC/DC
- Monitoring of over- or undercurrent
- Adjustable range 10...100% I_N
- Hysteresis adjustable 5...50%
- Start-up delay 1...20s (input enable)
- Switching delay 0,1...10s for fading of short peaks
- Output-relay 2 changeover-contacts (co)
- Operating- or closed-circuit-mode for relays selectable with bridge

- Universal supply-voltage AC/DC 24-240 V
- Interlocked switching selectable with bridge
- LEDs for display state of relay
- Housing for mounting in switchgear cabinets or fuse boxes, 70 mm wide, mounting height 55 mm
- option: other supply voltages

2



Technical Data

supply voltage U_s

AC/DC 24-240 V, <3W, <5VA
(AC 20-264 V, DC 20,4...297 V)

relay output
type of contact
test conditions

2 change-over contacts
type 2 see "general technical informations"
siehe "general technical informations"

function
frequency of measured current
internal resistance
overload capacity/continuously
max. 10s

Over- or undercurrent, DC or AC (1-phase)
0 / 40 ... 400 Hz
60 mV: 40 k Ω , 1A: 0,1 Ω , 5A: 20 m Ω , 10 A: 10 m Ω
60 mV: 10 V, 1A: 2 A, 5A: 7,5 A, 10 A: 11 A
60 mV: 10 V, 1A: 5 A, 5A: 15 A, 10 A: 20 A

switching point
hysteresis
error of setting
repeat error
temperature-dependence
start-up-delay d_{enable}
switching delay d_{al}

adjustable 10...100% I_N
adjustable 5...50% of switching point
< 10%
 $\pm 0,2\%$
 $\leq 0,05 \%/K$
adjustable 1...20 sec.
adjustable 0,1...10 sec.

rated ambient temp. range

-20°C...+55°C

dimensions (h x w x d)
attachment

design V4: 90 x 70 x 58 [mm]
on 35 mm DIN-rail according to EN 60 715 or
with screws M4

protection housing/terminals
weight

IP 30 / IP 20
approx. 180 g