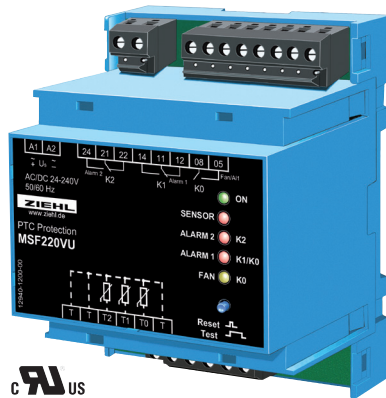


PTC-Resistor-Relay Type MSF220V/VU

for Dry-Transformers, 3 PTC-Circuits

MSF220V/ MSF220VU



UL US

Part numbers:

MSF220V	
T221738	AC 230/240 V
MSF220VU	
T221737	AC/DC 24-240 V

ER4
T224384



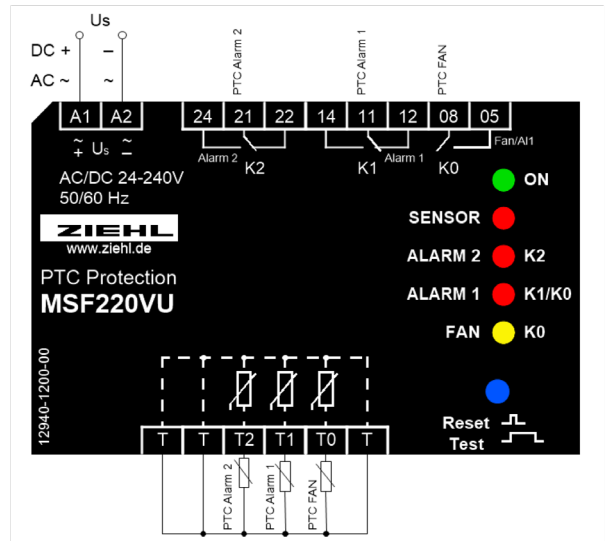
The MSF220V is particularly suitable for the temperature monitoring at dry transformers.

3 PTC-circuits with different nominal response temperatures (NRT) can be connected to this unit, one for controlling an fan (forced cooling) and two for alarms.

Each PTC-circuit is monitored for break and short circuit. This reduces the probability of false alarms.

- 3 PTC-circuits
- MSF220VU for universal supply voltage AC/DC 24-240 V
- intelligent control of fan (relay K0, 1 normally-open contact)
- ALARM 1 in closed-circuit current mode (relay K1, 1 change-over contact) for pre-alarm. Signals also error in any sensor and interruption of supply voltage.
- ALARM 2 in operation current mode (relay K2, 1 change-over contact). No signal when switching on and off the supply voltage.
- all output relays potentially separated from each other.
- monitoring of sensor lines
- TEST-button (stop possible before ALARM 2)
- simple testing with disconnectable monitoring of break and

- short-circuit (for 10 minutes)
- LEDs for ON, sensor error, Fan, ALARM 1 and ALARM 2
- UL Recognized Component
- plug-in terminals
- housing for mounting on DIN-rail or wall-mount mounting height 55 mm
- Accessory: [Installation frame ER4 for panel mount](#)



Technical Data

Rated supply voltage U_s

AC 220 - 240 V $\pm 10\%$, 50/60 Hz, ≤ 3 VA

Connectable PTC resistors

AC/DC 24 - 240 V $\pm 15\%$, < 3 VA

Switching point

3 x 1... 6 PTC according to DIN 44 081 or 44 082

Output relays

$< 4000 \Omega$

Type of contact

2 x 1 change-over contacts, 1 normally-open contact

Test conditions

Type 2 see "general technical information"

Rated ambient temperature range

see "general technical information"

Housing / Installation Frame

-20... +55 °C

Dimensions (h x w x d)

Design V4 / Front mounting kit type ER4

Attachment

90 x 70 x 58 [mm]

on 35 mm DIN rail according to DIN EN 50 022

or with screws M4

Protection housing / terminals

IP 30 / IP 20

Weight

approx. 320 g