

PTC-Resistor-Relay Type MS220C

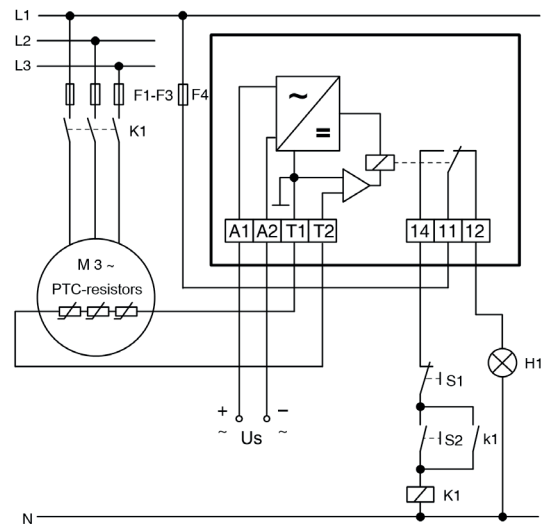
Single PTC-Circuit, Supply Voltage AC/DC 24 - 240 V

MS220C



This compact device is the smallest version of all our PTC-resistor relays:

- terminals outside
- protection terminals IP 20
- Relays 1 change-over contact (co)



Us = Anschlussspannung
 S1 = Aus-Taster
 S2 = Ein-Taster
 H1 = Meldelampe Störung
 F1-F4 = Sicherungen
 K1 = Motorschutz

Us = supply voltage
 S1 = pushbutton OFF
 S2 = pushbutton ON
 H1 = trip alarm
 F1-F4 = fuse
 K1 = contactor

Part number:
T221821 AC/DC 24-240 V

Technical Data

Rated supply voltage U_s	AC/DC 24-240 V, AC 20-264 V, DC 20-297 V, < 1 W, < 4 VA
connectable PTC resistors switching point	1... 6 PTC according to DIN 44 081 or 44 082 < 4000 Ω
output relay type of contact	1 change-over contact (co) type 2 see "general technical information"
test conditions rated ambient temperature range	see "general technical information" -20...+70 $^{\circ}\text{C}$
dimensions (h x w x d) attach- ment	design C: 72 x 33 x 60 [mm] on 35 mm of DIN rail according to EN 60 715 or with screws M4
protection housing / terminals weight	IP 30 / IP 20 approx. 120 g