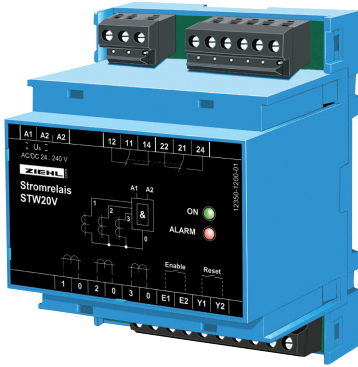


Current-Relay STW20V

AC-Detection, AND-Evaluation, 3 Transformers

STW20V



Part number:
S225124 AC/DC 24-240 V

The current relay STW20V monitors the current in up to 3 lines with current transformers STWA 1 (AND circuit). If there is a current in all 3 monitored lines, the relay (2 change-over contacts) picks up. If there is no current in at least one of the lines, the relay releases.

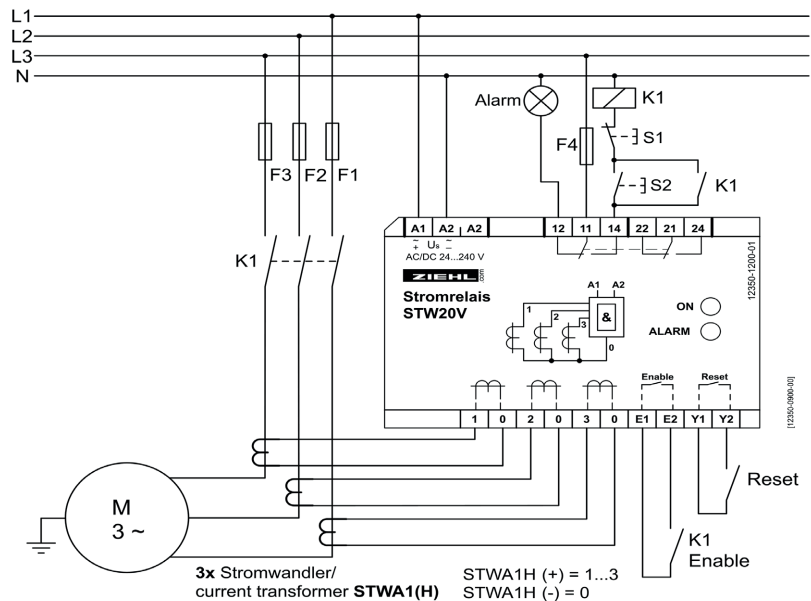
The relay works in closed circuit current. When voltage is applied to the STW, the relay signals an alarm until the it has picked up. This can be avoided if the device is constantly alive and monitoring is started by closing a contact at the Enable input. With a bridge at the Enable input, monitoring is automatically started when voltage is applied.

- 3 inputs (transformer STWA1)
- 3 x current-sensor S1 (power-supply required)
- AND-evaluation
- output relay 2 CO
- switching point app. AC 1 A
- Enable-input
- storage of alarms or Auto-Reset
- LEDs power on and alarm
- housing V4 for mounting on DIN-rail or wall-mount

Applications:

Identifies power failure with 1- or 3-phase electrical consumers, e.g. with monitoring of heating elements or heating installations where a constant heating has to be guaranteed.

A further application is the identification of phase failure, monitoring of fuses, or triggering of operating hours counters.



Technical Data

Power supply U_s

AC/DC 24 - 240 V, < 3 W, < 5 VA,
(AC 20 - 264 V, DC 20,4 - 297 V) AND-evaluation

Function

Transformer input
Overload cap. continuous/max.10s
Switching point on
Switching point off
Switch-off delay
Switch-on delay
Overload capacity
Output relay
Type of contact
Testing conditions
rated ambient temperature range

1 or 3, type STWA 1
100A / 300 A
≤ AC 1 A
≥ AC 0,3 A
approx. 0,3 s.
approx. 0,3 s.
with STWA 1 unlimited
2 CO

type 2 see "general technical informations"
see "general technical informations"
-20°C...+55°C

Dimensions H x B x T

Protection housing / terminals
Weight

design V 4: 90 x 70 x 58 [mm]
IP 30 / IP 20
approx. 240 g