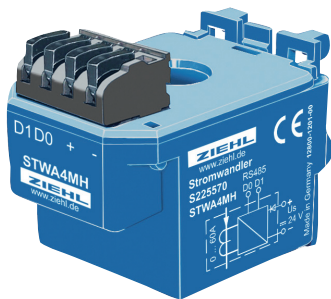


AC-Electronic Current Transducer STWA4MH

AC 0 - 60 A, with interface RS485

STWA4MH

Electronic Current Transformer 0 - 60 A, with interface RS485



Part number: **S225570**

The STWA4MH measures alternating current up to 60A. It has an RS485 interface (Modbus RTU). Multiple looping of the current-carrying conductor increases the sensitivity.

For the detection of currents of any size, the STWA4MH is simply looped into the secondary circuit of a large current transformer with a secondary 5 A (pass the cable through the STWA4MH several times).

Application

The STWA4MH enables the space-saving and cost-effective measurement of the actual value of an alternating current.

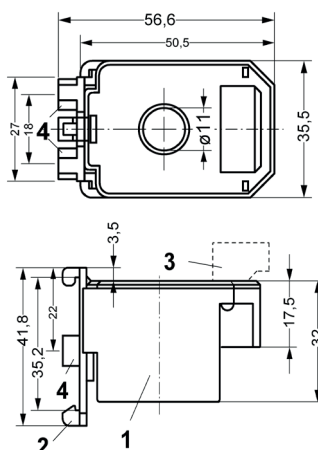
Compared to transducers with analog output, the bus technology considerably reduces the hardware (inputs) and wiring costs

Applications are e.g. the recording of the current consumption of electric motors in processing machines. Another example is the monitoring of heating elements for failure.

- Measuring of current AC 0-60 A (true RMS), resolution 50 mA
- Interface RS 485 (Modbus RTU)
- Addressable for up to 246 bus users
- Baud rates 4800, 9600, 57600
- Minimal wiring effort through bus
- Connection via plug-in-spring-type terminals
- Supply voltage DC 24 V (10...30 V)
- Housing mount on 35 mm rail or screw fastening
- Through current transformer (Ø 11 mm)

Power supply U_s	DC 10 ... 30 V, max. 22 mA, typ. <13 mA
Measuring range	AC 0 ... 60 A
Response time	< 0,5 s.
Error (of scale, above 10%/I _{rated})	2 % of FS
Temperature coefficient	< 0,06%/K
Nominal frequency/operating range	50/ 40...70 Hz
Error	≤ 0,2%/Hz
Overload capacity cont./10 s	I _N +20% /200 A
Testing voltage to supply voltage	500 V
max. ambient temperature	0...55°C
Housing	Design H/
Dimensions (h x w x d)	50 x 36 x 56 mm
Diameter for conductor	11 mm
Weight	app. 90 g

Dimension illustrations



- 1 Housing
- 2 Clip for DIN-rail (removeable)
- 3 Terminal (pluggable)
- 4 Wall-mounting (M4)

