

Front Mounting Kit type ER4, ER6, ER8

For housings for cabinet mount V4, V6, V8

Installation frame for mounting in control panels or doors.

ER4 / ER6 / ER8



Part numbers:

- T224384** ER4, housing V4, 4 TE
T224386 ER6, housing V6, 6 TE
T224388 ER8, housing V8, 8 TE

You found a device in that meets your requirements and you want to install it in a control panel or in the door of a control cabinet?

With the installation frame of the ER series, this is possible for all ZIEHL devices in housings V4, V6 and V8 (width 70/105/140 mm).

Enclosed by a high-quality frame made of anodized aluminum, all displays can be read outside the control cabinet. Switches, buttons and joystick can be operated

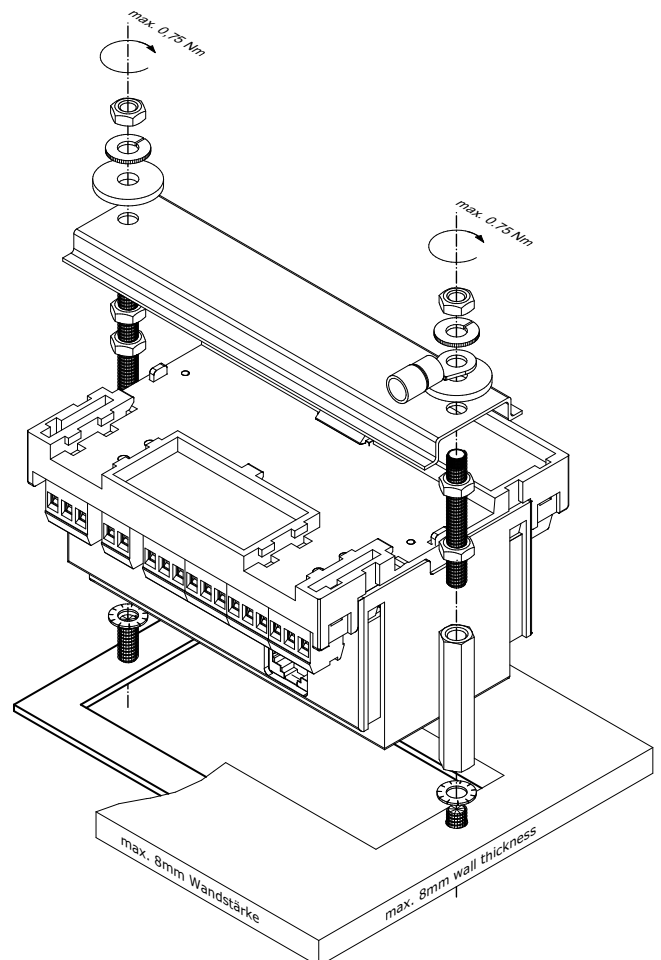
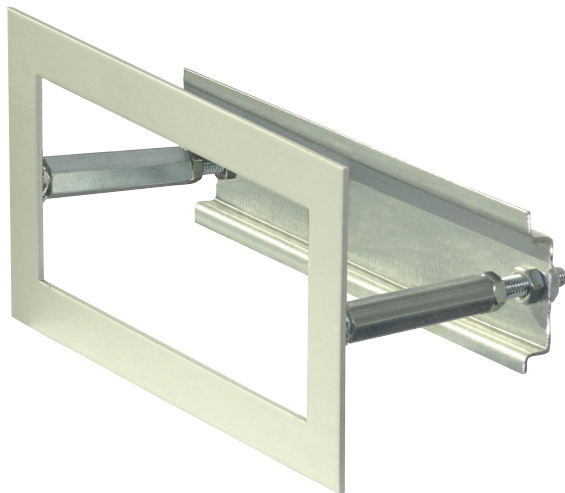
Technical Data

| | | Width | Height | Cutout |
|-----|------|--------|--------|-------------|
| ER4 | 4 TE | 95 mm | 70 mm | 71 x 46 mm |
| ER6 | 6 TE | 130 mm | 70 mm | 106 x 46 mm |
| ER8 | 8 TE | 165 mm | 70 mm | 141 x 46 mm |

Maximum wall thickness 8 mm

Frame anodized aluminum

Mounting material steel



Z