

Pt 100-Temperature-Relay Type TR122D(A)

1 Sensor, 2 Limits, Digital display, Analog-output

TR122D(A)



Part numbers:

TR122DA	
T224126	with analog output
TR122D	
T224127	no analog output

Switching-Relays Typs TR 122 D(A) monitor the input-signal for 2 limits. The TR 122 DA transduces the measured temperature/resistance to a proportional DC-current.

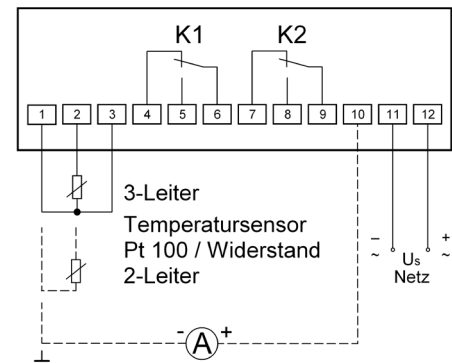
- 1 sensor Pt 100 (RTD) 2- or 3-wire-connection
- Range -199...+850 °C
- Resistance 0...850 Ω
- 2 alarms/relays (co-contacts) Digital display, 3 digits
- Monitoring of sensor (break/ short-circuit)
- Display of MIN- and MAX-values
- scalable analog output
- 0/4...20 mA (TR 122 DA only)
- Universal supply voltage AC/ DC 24-240 V
- Plug-in housing for easy mounting and service

Applications:

- Monitoring of temperature with pre-alarm and alarm
- Monitoring of under- and over-temperature
- 2-point-controller, e.g. for heating (the second switching point can be used for monitoring the function and release an alarm at over- or undertemperature)
- 3-point-controller for heating/keeping temperature
- Monitoring of resistance 0...850 Ohm
- Transducer for Resistance

The following parameters can be programmed:

- Switching points (alarms)
- Hysteresis (+ or - = MIN or MAX-function)
- Relay in closed- or operating current mode
- automatic reset or electronic reclosing lock
- switching- and switch-back-delay
- Analog output
- **EasyLimit** for simplified setting of alarms
- Code-lock against manipulation of settings



Technical Data

rated supply voltage U_s	AC/DC 24-240 V, <3W, <5VA (AC 20-264 V, DC 20,4-297 V)
sensor Pt 100 (RTD) connection	Pt 100 according to EN 60 751/IEC 60 751, Resistance 0...850 Ohm line-resistance max. 3 x 22 Ω / 2 x 10 Ω
measuring accuracy	< 0,3 % of value ± 0,5 K (Ω)
measuring current	≤ 0,8 mA
connection of sensor	2-/3-wire, line-resistance max. 2 x 50 Ω / 3 x 50 Ω
analog output	0/4-20 mA, max. 500 Ω, error <0,3% of fullscale
measuring range	-199 ... +850 °C / 0 ... 850 Ω
resolution	1 K (Ω), -19,9 ... 99,9: 0,1 K (Ω)
hysteresis	±200 K
switching delays	0...999 s
relay-contact	type 2 (see "general technical informations")
test conditions	see "general technical informations"
rated ambient temp. range	-20°C...+55°C
dimensions (h x w x d)	design S12: 82 x 42 x 121 [mm]
attachment	on 35 mm DIN rail according to DIN EN 50 022 or with screws M4
protection housing / terminals	P 30 / IP 20
weight	app. 300 g