

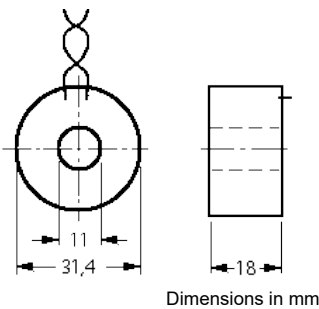
# Current Transformer STWA1

for recognition of AC-currents

**Current Transformer STWA1**  
for monitoring current  
yes/no



**Part number: S225201**

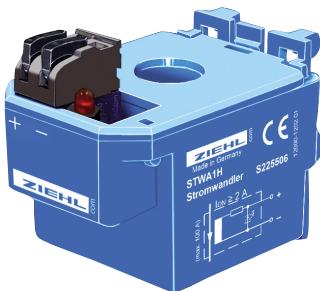


The STWA1 current transformer is made to match the STW current monitor. One current transformer is required for each line being monitored. The STWA1 consists of a climate-proven sealed-in coil with toroidal tape core. The connection cables are permanently fixed to the transformer and are 1 m in length. The level of the current to be monitored is limited to 100 A continuously, 300 A for max. 10s.

In case of current of more than approx. 5 A, an LED can be triggered directly via the STWA 1 current transformer. Thus it's easy for users to visually monitor the current conduction in a line. The LED is protected by an anti-parallel diode or by its connection in series. A protective resistor is necessary depending on the LED used or the level of current being monitored.

2

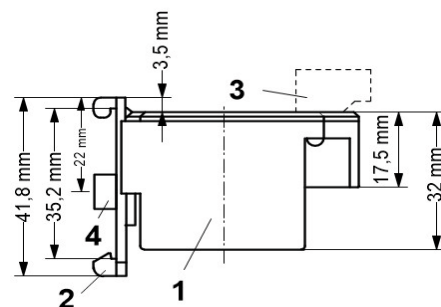
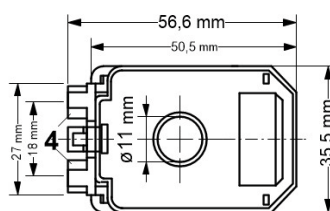
**Current Transformer STWA1H**  
for DIN-rail-mount or  
screw-mount



**Part number: S225506**

Current-transformers STWA1H can be fixed on a 35 mm DIN-rail or with 2 screws. The electrical connection is made via pluggable terminals. The cables are led vertical through the transformer (right angle to 35 mm-rail). The available diameter is 11 mm.

A built-in LED lights up at currents > app. 2 A. Even short current pulses are visible. ZIEHL current monitor type STW or an external LED can be connected to the terminals. The built-in resistor protects the LED from overload. The STWA 1 H can also be used to visualize current-flow in stand-alone mode, without connecting it to a current monitor.



- 1 Housing
- 2 Clip for DIN-rail
- 3 Terminal (pluggable)
- 4 Wall-mounting (M4)