

PTC-Resistor-Relay Type MS220C

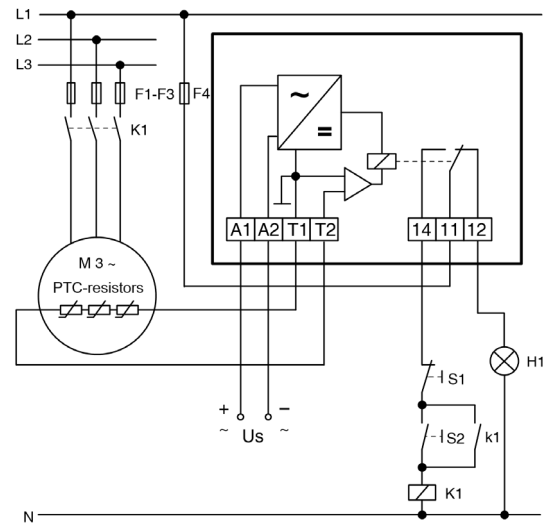
Single PTC-Circuit

MS220C



This compact device is the smallest version of all our PTC-resistor relays:

- terminals outside
- protection terminals IP 20
- Relays 1 change-over contact (co)
- AC 220 - 240 V



Us = Anschlussspannung
S1 = Aus-Taster
S2 = Ein-Taster
H1 = Meldelampe Störung
F1-F4 = Sicherungen
K1 = Motorschutz

Us = supply voltage
S1 = pushbutton OFF
S2 = pushbutton ON
H1 = trip alarm
F1-F4 = fuse
K1 = contactor

Part numbers:

T221804	AC 220-240 V
T221830	AC/DC 24 V
T221805	AC 400 V (without cURus)

Technical Data

Rated supply voltage U_s	AC 220-240 V, AC 400 V, $\pm 10\%$, 50/60 Hz, 2 VA AC/DC 24 V, AC $+10/-15\%$, DC $+25/-20\%$, < 1 W, < 2 VA, without potential separation
connectable PTC resistors	1... 6 PTC according to DIN 44 081 or 44 082 or bimetal contacts (Klixon)
switching point	<4000 Ω
output relay type of contact	1 change-over contact (co) type 2 see "general technical information"
test conditions rated ambient temperature range	see "general technical information" -20...+55 $^{\circ}\text{C}$
dimensions (h x w x d) attach- ment	design C: 72 x 33 x 60 [mm] on 35 mm of DIN rail according to EN 60 715 or with screws M4
protection housing / terminals weight	IP 30 / IP 20 approx. 120 g

PTC-Resistor-Relay Type MS220C

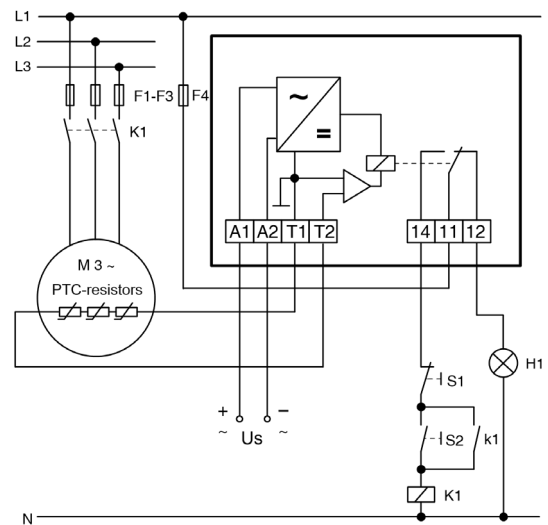
Single PTC-Circuit, Supply Voltage AC/DC 24 - 240 V

MS220C



This compact device is the smallest version of all our PTC-resistor relays:

- terminals outside
- protection terminals IP 20
- Relays 1 change-over contact (co)



Us = Anschlussspannung
S1 = Aus-Taster
S2 = Ein-Taster
H1 = Meldeleuchte Störung
F1-F4 = Sicherungen
K1 = Motorschutz

Us = supply voltage
S1 = pushbutton OFF
S2 = pushbutton ON
H1 = trip alarm
F1-F4 = fuse
K1 = contactor

Part number:

T221821 AC/DC 24-240 V

Technical Data

Rated supply voltage U_s

AC/DC 24-240 V, AC 20-264 V, DC 20-297 V,
< 1 W, < 4 VA

connectable PTC resistors

1... 6 PTC according to DIN 44 081 or 44 082 or
bimetal contacts (Klixon)
<4000 Ω

switching point

1 change-over contact (co)
type 2 see "general technical information"

output relay
type of contact

test conditions
rated ambient temperature
range

see "general technical information"
-20...+70 °C

dimensions (h x w x d) attach-
ment

design C: 72 x 33 x 60 [mm]
on 35 mm of DIN rail according to EN 60 715
or with screws M4

protection housing / terminals
weight

IP 30 / IP 20
approx. 120 g